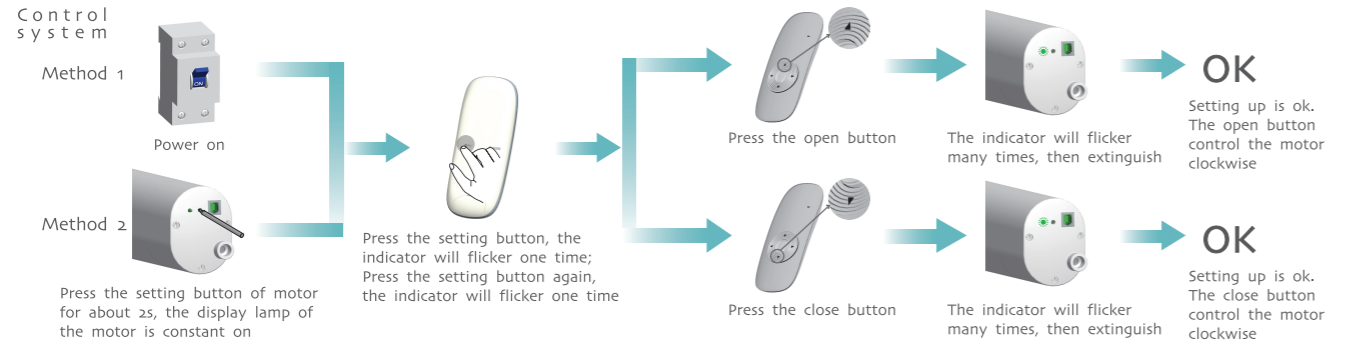
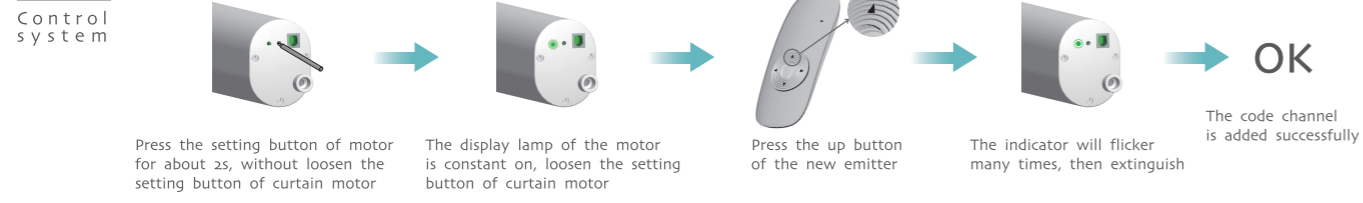


C Setting up



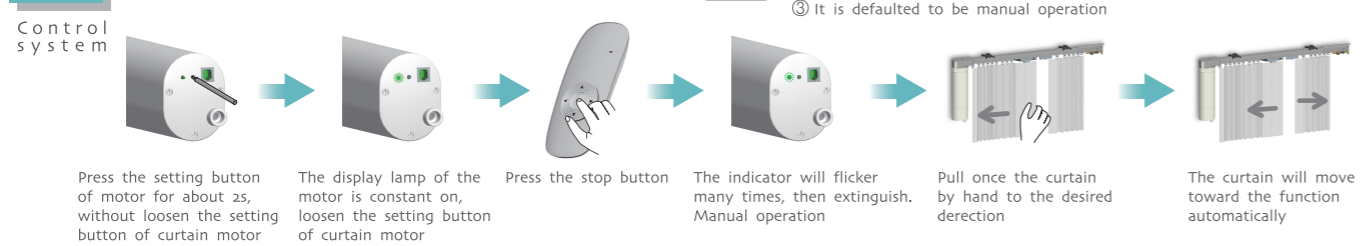
C Add emitter



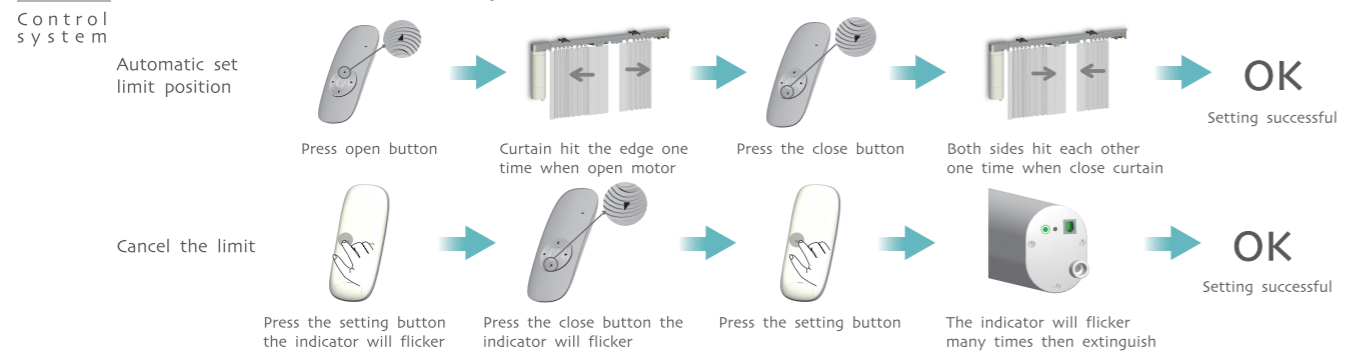
C Cancel emitter



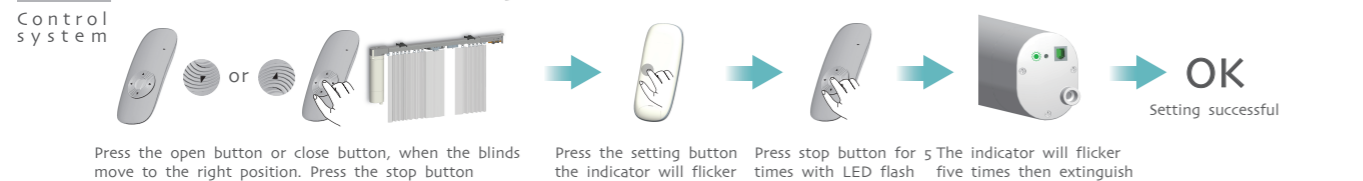
C The function of pulling and guiding by hand



C Automatic set limit position and cancel the limit



C The third limit setting



DT52E AC Curtain Motor Specification

Version NO. : A/07

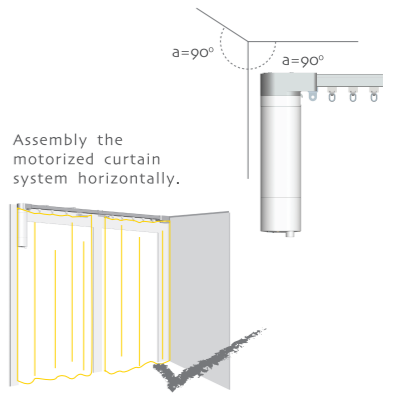
T Product characteristics

Technical support
Pls read the instruction before assembly.

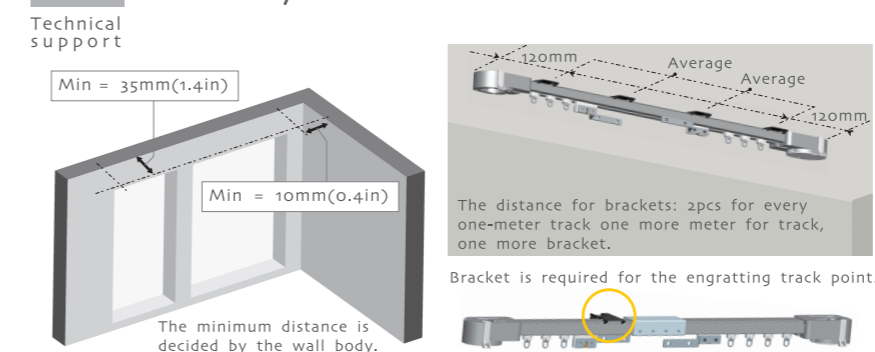


T Notes

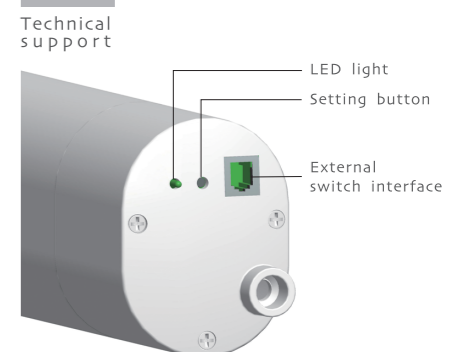
Technical support
Don't use the motorized curtain system vertically or unflatly.



T Assembly dimension



T Inspection for motor buttons

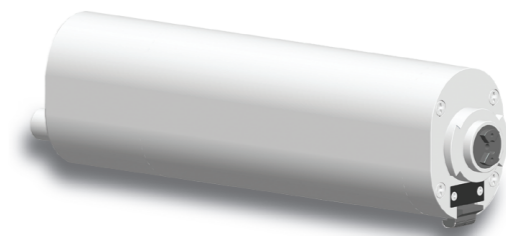


T Motor function

Technical support

Electronic
Electronic limit + Built-in receiver + Resistance and stop function + Touch-start +The third limit point setting

One DT52E motor maximum can store 20 channels, over 20 channels, if still need add new channels, only the last one will be covered circularly.



DT52E